

PRS

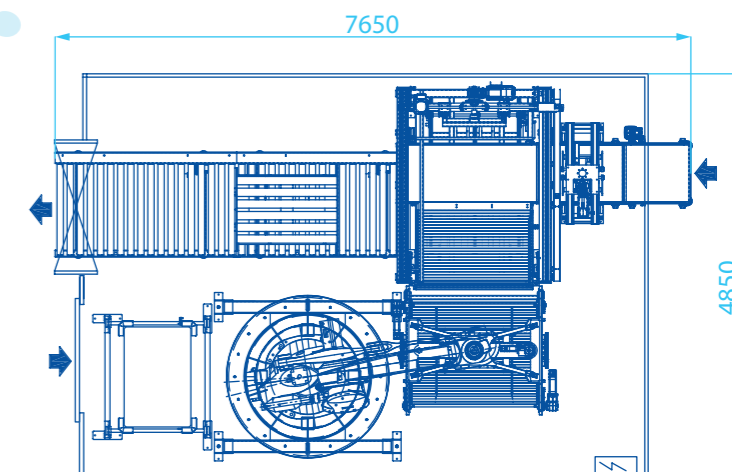
ROBOT LAYER PALLETIZER

Technical data	PRS
Cycles/minute	5
Set up power	32 Kw
Voltage	380 Volt
Air consumption	150 l./min.

OPTIONAL

- Layer sheet dispenser and relevant magazine
- Pallet magazine
- Pallet conveyor

Anthropomorphic robot with 4 axes for palletizing layers of boxes, bundles and crates. Thanks to its special configuration, which allows the robot to work in an area up to 360° around it, it is extremely flexible and easy to operate. It is equipped with a layered head able to pick up a whole level of items. The gripper may be optionally equipped with devices to pick layer pads, thus making the equipment fully automatic. It can operate on more lines at a time even on different palletizing patterns.



HIGH TECH ENGINEERING